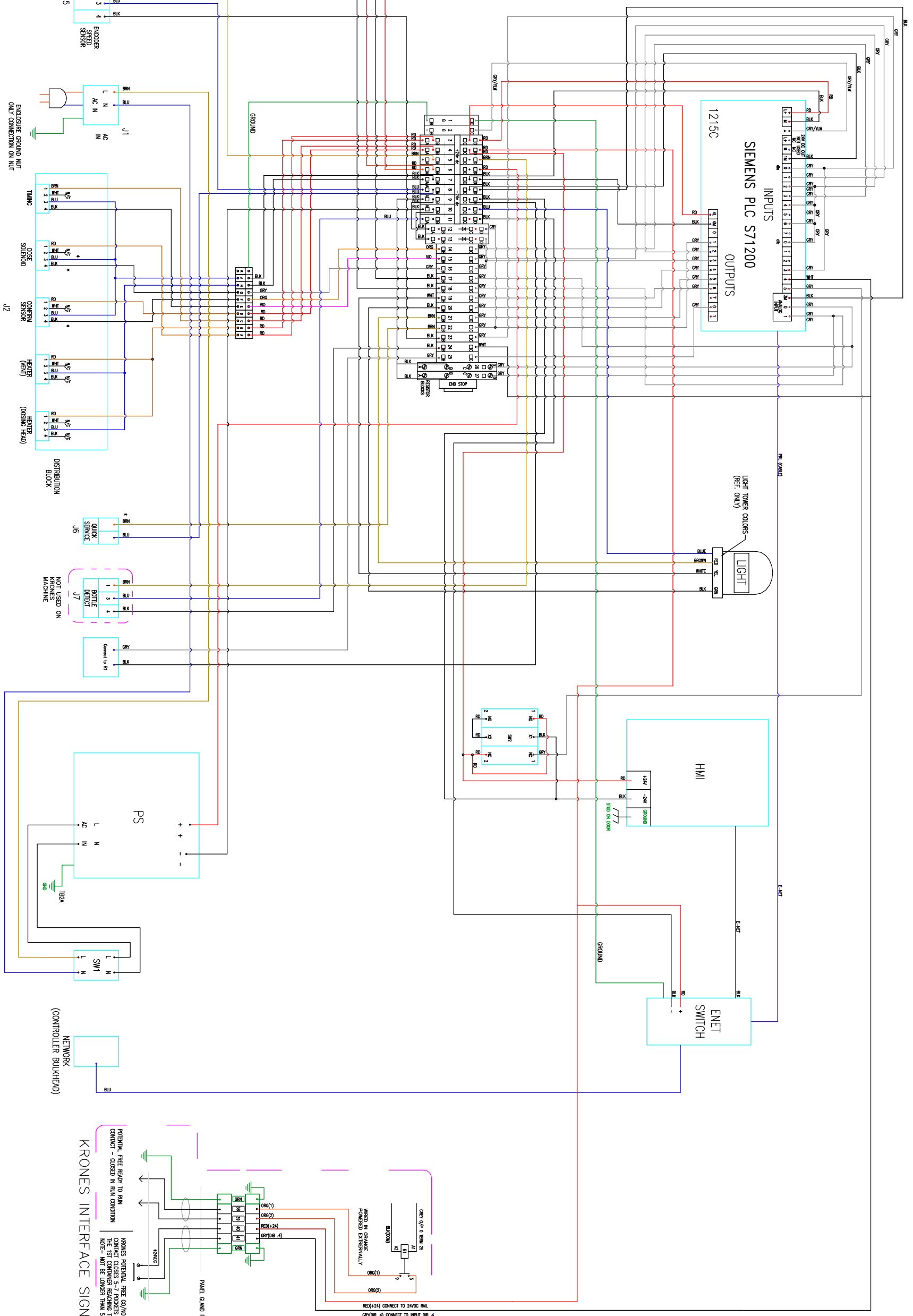
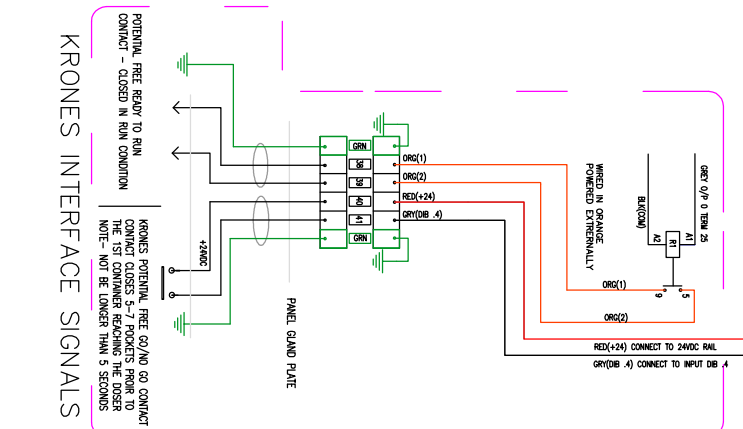


I/O FUNCTIONS	
DIGITAL INPUT	ANALOG INPUT
IB 15 - Dig.1	IB 17C - AI0
TIMING SENSOR	IB 18C - AI1
	SUPPLY PRESSURE
IB 14 - Dig.3	
CONFINA SENSOR	
IB 23 - Dig.0	
ENCODER	
SPEED SENSOR	
OUTPUTS	
QB 25 - DO0.0	ALARM OUTPUT RELAY
QB 22 - DO0.1	QUICK SERVICE
QB 16 - DO0.3	DOSING VALVE
QB 20 - DO0.4	LIGHT TOWER GREEN
QB 21 - DO0.5	LIGHT TOWER RED
QB 19 - DO0.6	LIGHT TOWER YELLOW



NOTE:
ALL CABELING 22 GA. (UNLESS NOTED)



This drawing is issued solely on the understanding that it is copyright and to be regarded as confidential. It must not be used or reproduced without prior written consent of the company. Peco Controls Europe Limited.

REVISION NOTES	
CUSTOMER	Krones ZKS Circuit
JOB NUMBER	77705
DATE	APRIL 2014
DRAWING NO.	GENERIC ZKS
Peco Controls Europe Limited 1 Buntingford Road Buntingford, Suffolk IP11 2JX	

